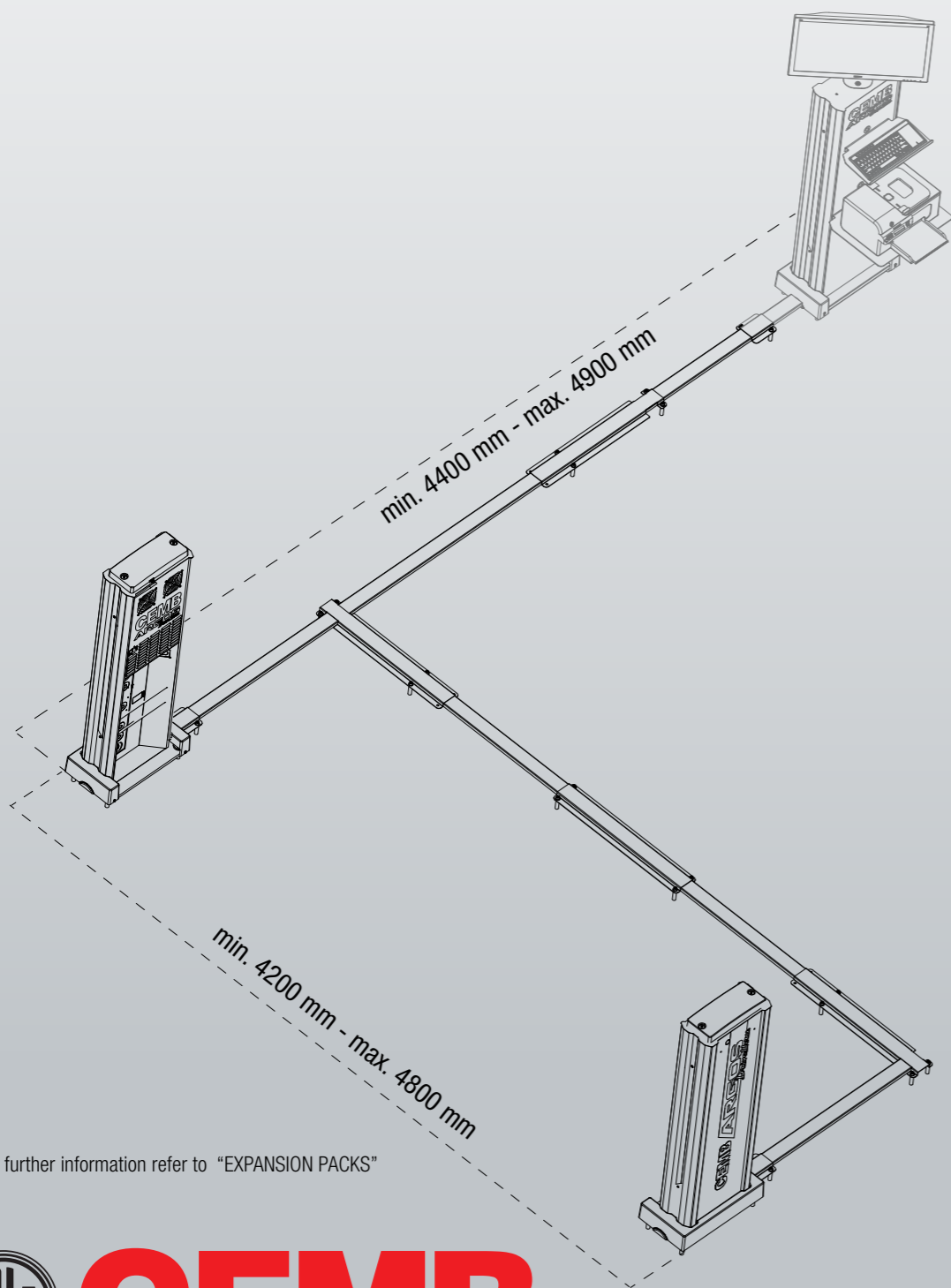


ARGOS
Drive thru

OPTIONAL

- 50" monitor with wall mount
- 27" monitor with support column
- Wifi printer
- New vehicle licence plate recognition: the camera, integrated in the Argos Drive Thru columns, recognises the vehicle's licence plate from the first moment it enters the workshop and automatically calls up its specifications*
- Known vehicle license plate recognition: the integrated camera recognises the vehicle's license plate by automatically recalling the previously selected specifications. The vehicle specifications must be selected manually on first access*



*For further information refer to "EXPANSION PACKS"

 **CEMB**

CEMB-USA
2873 Ramsey Road
Gainesville, GA 30501
www.cemb-usa.com



Garage equipment division
CEMB - USA
Phone (678)-717-1050
service@cemb-usa.com

AGCA06320

ARGOS
Drive thru

ALIGNMENT CHECK



CEMB
GARAGE EQUIPMENT

SAVE TIME WITH NON-CONTACT MEASUREMENTS!

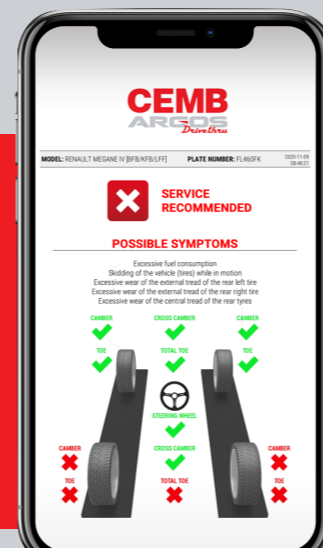


FULL ALIGNMENT CHECK IN SECONDS

- Place **ARGOS DRIVE THRU** in the reception lane of your shop; it is adaptable to any work environment
- Increase **customer satisfaction** by offering a fast, complete, and highly professional service
- Offer your customers maximum transparency with **clear and immediately understandable diagnostic reports**
- **Increase your turnover** by checking all incoming vehicles in a few seconds and identifying those that show anomalies and need adjustments
- **Eliminate efforts** thanks to fully automated procedures with consequent time savings
- **Identification of full alignment**, including partial Toe and steering angle
- **Autonomous control of the alignment** that can be performed directly by the customer by following simple steps shown on the screen
- **Non-contact measurement**: no more clamps, targets or sensors for effective time savings and no risk of damaging the rims
- **Diagnosis of vehicle anomalies** and an indication of possible related symptoms (fuel consumption, tyre wear, driving and steering anomalies)
- **Automatic selection of vehicle specifications** via license plate recognition (optional)* or Fast specs search
- **Real-time specs**: vehicle specifications database updated in real-time
- **Remote control app** for tablets and smartphone

Drive thru

		Vehicles checked	Needing adjustment	Adjustments sold	Profit
60 Vehicles / week	TRADITIONAL inspection	20%	6	3	
	ARGOS <i>Drive thru</i> inspection	100%	30	15	



OPTIONAL

Send real-time results to your customers directly via smartphone and tablet, or provide printed report

