

DWA1100

TROLLEY

INNOVATIVE MOBILE WHEEL ALIGNMENT SYSTEM



CEMB

DWA1100

TROLLEY

COMPACT AND WIRELESS SYSTEM consisting of a mobile support for sensors and clamps, which acts as a recharge point for the CCDs and the toughpad **TOUGHPAD 10"** with Wi-Fi connection that can also be used when carrying out operations under the vehicle. It eliminates the need of a bulky PC and guarantees greater ease of use **MOBILE STRUCTURE ON WHEELS** to work comfortably on board the vehicle; also ideal for multi-bay workshops. No space problems almost a 4" diameter **PIVOTING AND RUBBER WHEELS** to allow smooth movement on any type of flooring

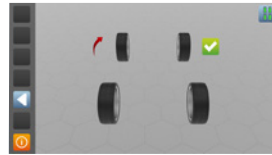
SOFTWARE



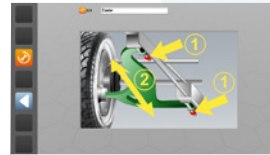
FAST caster swing



Adjust two axles in one screen



Direct spoiler, no extensions required



Clear help for adjustment



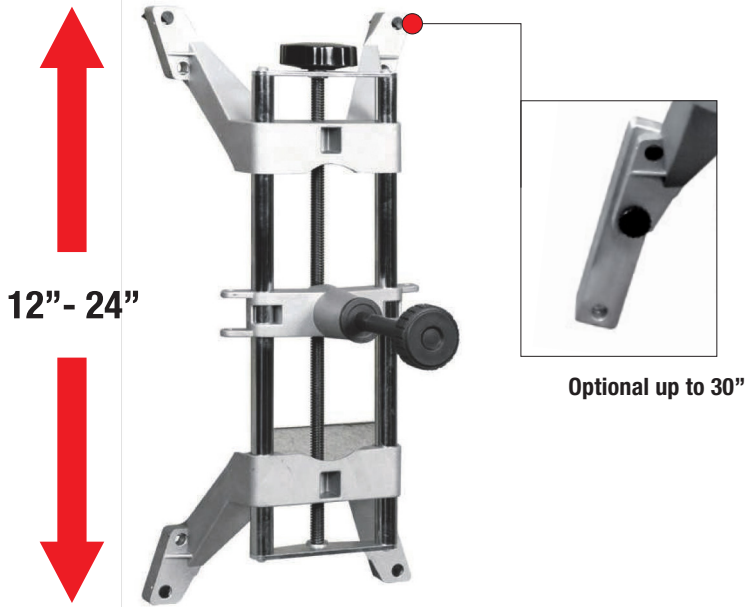
AUDIT function for the identification of driving problems

Rugged Toughpad

HD 10" touch screen - Windows 10 operating system - Fast operation speed - It supports WiFi, Bluetooth, HDMI. Dust proof, waterproof, breaking-proof



STANDARD CONFIGURATION



Optional up to 30"

4 car sensors

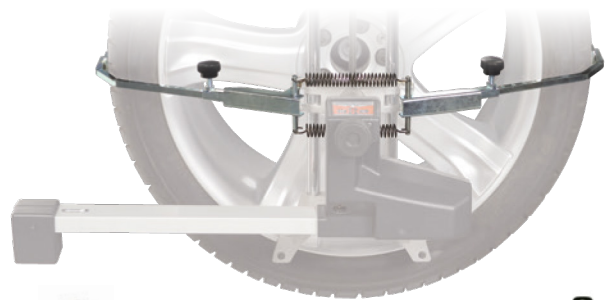
Metal 3" grips for 4-WD, SUV, light trucks and rims with hubcap

Metal 48 mm grips with reference surface to optimize runout

OPTIONAL ACCESSORIES



Set of four 3-point self-centering wheel clamps for rims 10"-25"



Clamp supporting arms and set of tips for tires with external diameter up to 31" (with optional support arms up to 40")

Grips for all rims and tires are available

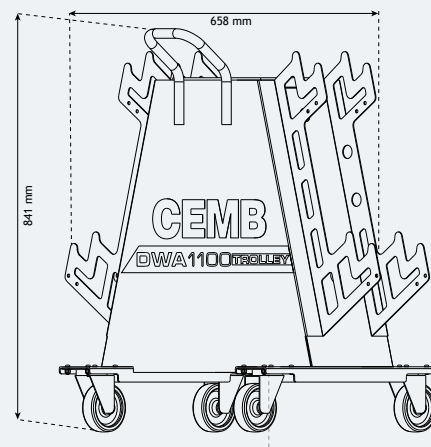
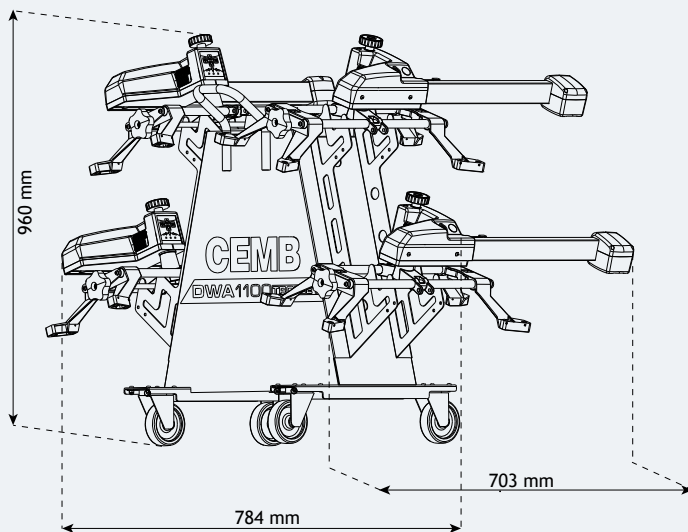


Metal grips for clamping on steel rims from the inside

STANDARD COMPOSITION

- Toughpad 10" with WINDOWS 10 operating system
- 4 car sensors
 - clamps + safety elastic band + 2 set of grips
 - Steering lock + Brake pedal lock
- WiFi connection for automatic software updates
- Wheel alignment software and database for CARS

TECHNICAL DATA



OPTIONS



2 mechanical turntables for cars



Premium turntables: capacity 1000 kg per plate, Ø 35 cm, with rubber supports



CEMB USA - BL Systems Inc.
2873 Ramsey Road
Gainesville, GA 30501 - USA
Phone +001 678 717 1050
Fax +001 678 717 1056
sales@cemb-usa.com
www.cemb-USA.com