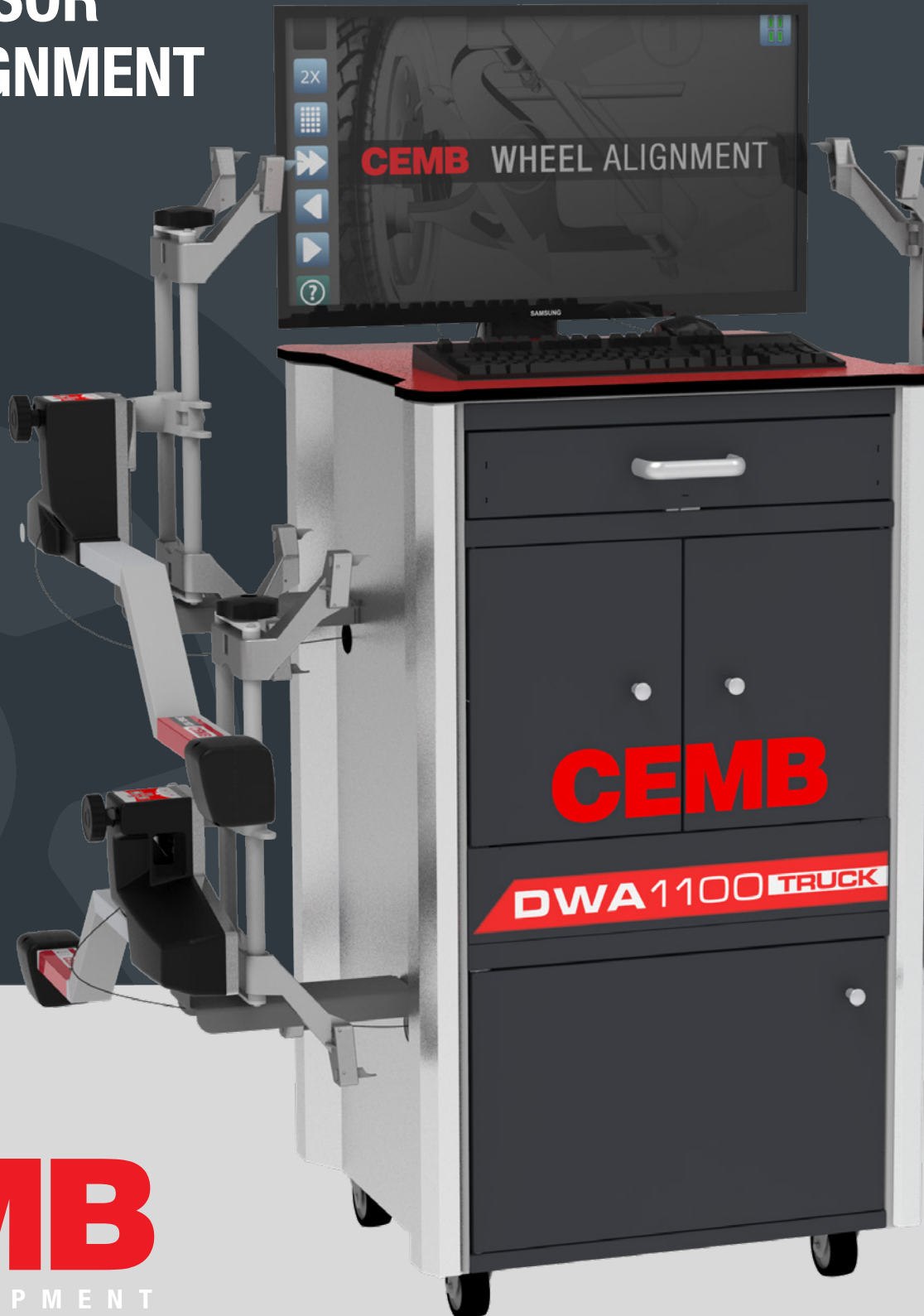


# DWA 1100

# TRUCK

## 8-CCD SENSOR TRUCK ALIGNMENT SYSTEM



# DWA 1100

# TRUCK

**LITHIUM BATTERIES:** 24 hours of work, 1 year guaranteed

**FEATHERWEIGHT SENSORS:** only 2.8 kg

Immediate connection with innovative **BT<sup>2</sup> wireless communication**

**SILICON ACCELEROMETER:** shock-proof

**SUNLIGHT FILTER:** over 12 m wheelbase even in outdoor sun exposed environment

Simple and **user-friendly software**



## SOFTWARE



Adjust two axles in one screen



Step by step procedure up to 7 axles



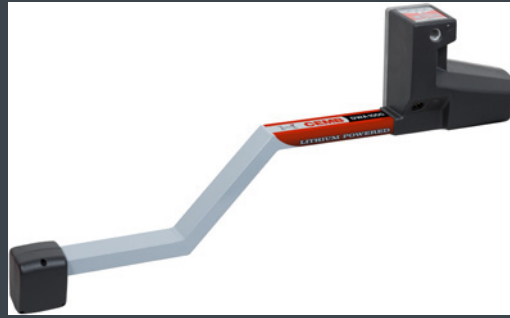
2 measuring heads mode  
Quick measurement of front axle



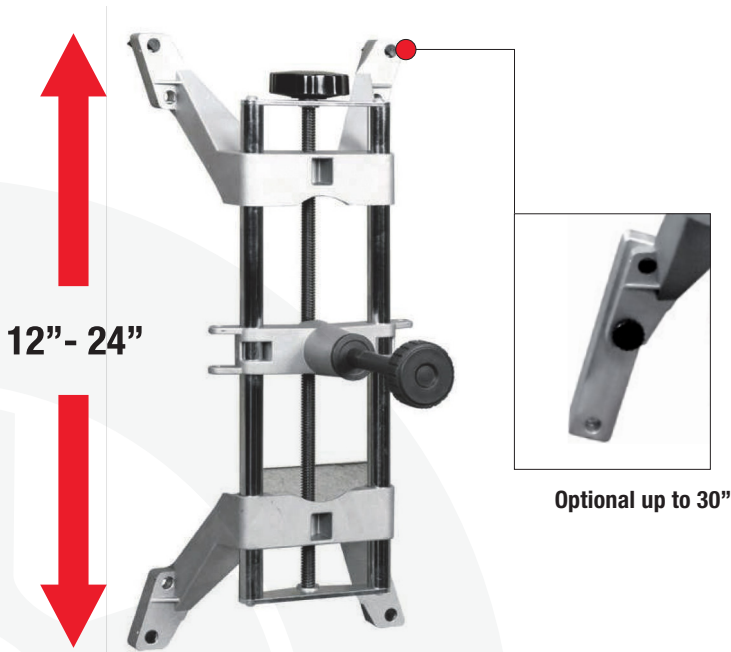
AUDIT function for the identification of driving problems

## DWA1100<sub>TRUCK</sub> (with cabinet)

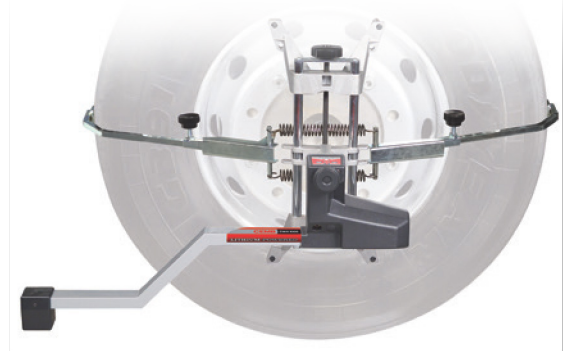
- Ergonomic design
- Industrial computer
- No moving parts more likely to break
- Data update through USB



### STANDARD CONFIGURATION



### OPTIONAL ACCESSORIES



Clamp supporting arms and set of tips for tires with external diameter up to 50"

**Grips for all rims and tires are available**



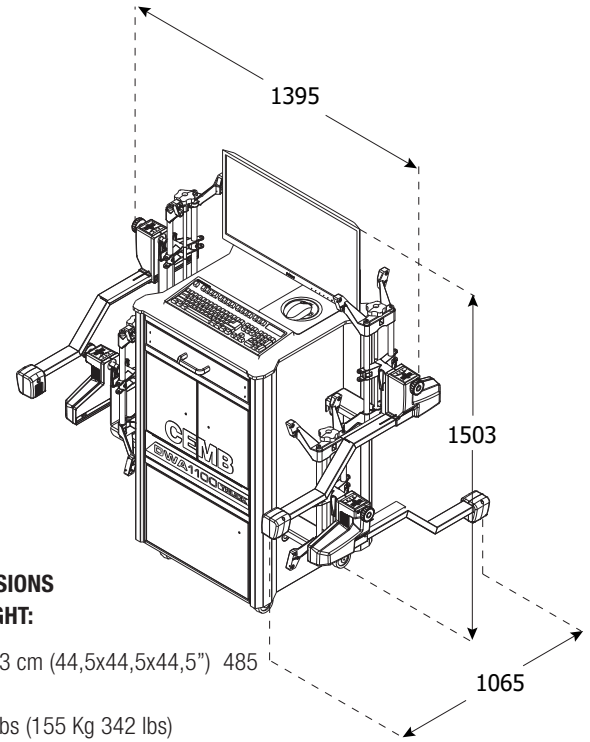
Metal grips for clamping on steel rims from the inside

Metal 120 mm universal grips, with reference surface, for truck and bus wheels

## STANDARD COMPOSITION

Computer - 27" monitor - printer (only for DWA1100<sub>TRUCK</sub>)  
Truck and bus software and database  
4 truck sensors  
4 clamps + safety elastic band + 1 set of grips  
Steering lock + Brake pedal lock

## TECHNICAL DATA



### PACKAGE DIMENSIONS AND GROSS WEIGHT:

TYPE: 113x113x113 cm (44,5x44,5x44,5") 485 lbs. (220 Kg)

**Net weight:** 342 lbs (155 Kg 342 lbs)

## OPTIONS



2 truck turn plates: capacity 9920 lbs. per plate, Ø 40 cm, with nylon spheres



2 ramps for truck turn plates



Adapter rod for semitrailers' king pin



WiFi connection for automatic software updates



**CEMB**  
BALANCING MACHINES



**CEMB USA - BL Systems Inc.**  
2873 Ramsey Road  
Gainesville, GA 30501 - USA  
Phone +001 678 717 1050  
Fax +001 678 717 1056  
sales@cemb-usa.com  
[www.cemb-USA.com](http://www.cemb-USA.com)



All the data and features mentioned in this catalogue are purely for information and do not constitute any commitment on the part of our company, which reserves the right to make any and all alterations it may consider suitable without notice.